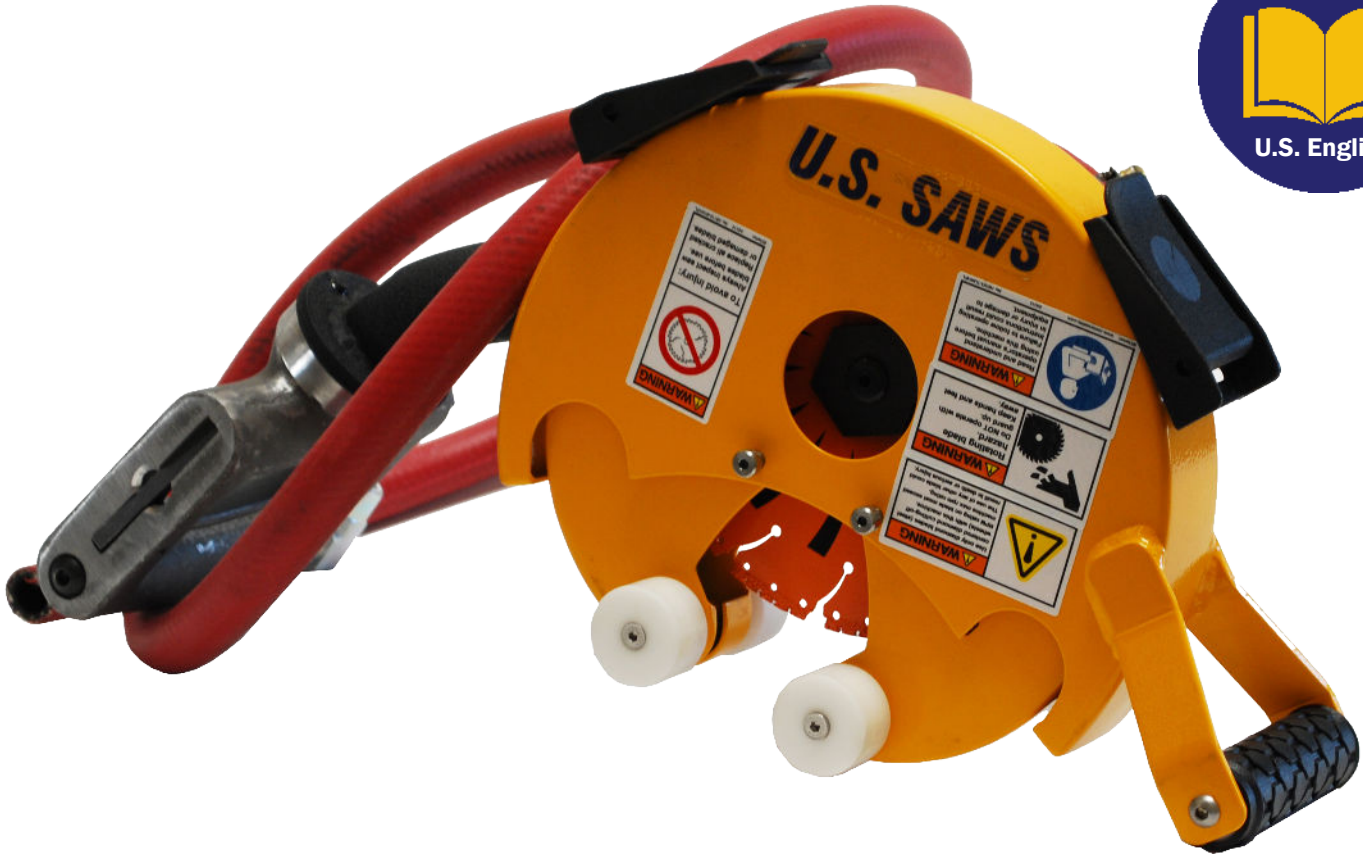


U.S.SAWS™



U.S.SAWS AIR BELLY SAW OPERATING MANUAL

	<p>WARNING</p> <p>Read and fully understand operator's manual before using this machine.</p> <p>Failure to follow operating instructions could result in death or serious injury.</p>	
--	--	--

Notice of Copyright Protection

Copyright 2020, by U.S.SAWS . All rights reserved. This work may not be reproduced or disseminated in whole or in part by any means without the prior written permission of U.S.SAWS

4-26-2021



INTRODUCTION & SPECIFICATIONS

1.0 INSTRUCTIONS FOR USE OF MANUAL SECTIONS

Section	Page
Table of Contents & Introduction	2
Symbols & Decals	3
Safety Instruction	4 - 5
Pre-Operation Checklist	6
Operation	7
Parts Breakdown	8 - 9
Warranty & Service	10 - 11

Foreword/Introduction

The owner's manual is intended to point out some of the basic safety situations that may be encountered during the normal operation & maintenance of the U.S.SAWS belly saws & to instruct you in safety practices for dealing with these conditions. Keep all manuals provided with your machine in a safe place at all times.

The information and specifications included in this publication were in effect at the time of approval for printing. U.S.SAWS reserves the right, however, to discontinue or change specifications or design at any time without notice and without incurring any obligation.

U.S.SAWS Belly Saw is designed to provide a safe alternative to other cutting methods that can be difficult and dangerous because of the subgrade location of pipes. The key factor that provides ease and safer operation is that the tool is strapped to the pipe and is simply drawn around the pipe creating a straight and efficient cutting process. Other Key factors are that because of the use of air or hydraulic power sources the tools can run in the wet conditions without failure. READ, AND CAREFULLY FOLLOW, THE OPERATING AND SAFETY INSTRUCTIONS OF THIS OPERATING AND SAFETY INSTRUCTION MANUAL BEFORE USING THIS PRODUCT. Since safety regulations can vary between different countries and states, you must contact proper authorities and follow all appropriate regulations



DANGER: Indicates an imminently hazardous situation that if not avoided, will result in death or serious injury. This signal word is limited to the most extreme situations.



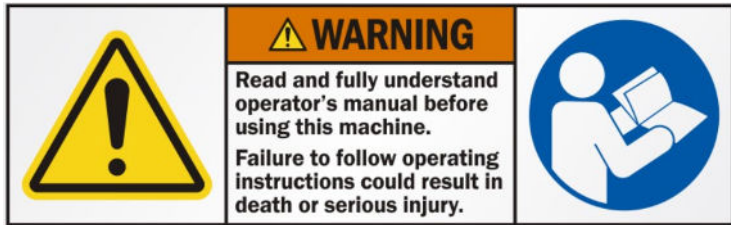
WARNING: Indicates a potentially hazardous situation that, if not avoided, could result in death or serious injury.



CAUTION: Indicates a potentially hazardous situation that, if not avoided may result in minor or moderate injury. It may also be used to alert against unsafe practices that may cause property damage.

2.0 SPECIFICATIONS

Model	8" to 24" Belly Saw	Big Belly Saw
Power Source	Direct Drive Air Motor	
RPM	6,000	5,250
Max Pipe Diameter	24"	48" or 72"
Diameter Blades Used	8"	12"
Max Blade Width	.125"	
Strap Assembly	8" - 24"	Up to 48" or 72"
Dimensions (LxWxH)	8.5" x 21" x 10.5"	10.5" x 24" x 12"
Weight	18 lbs	28 lbs
Part Number	US60278	US60280 (48") or US60290 (72")



Read this entire operations and maintenance manual before using your new tool. Pay close attention to the Rules for safer operation,

Dangers, Warnings and Cautions.

The purpose of safety symbols and explanations are to attract your attention to possible hazards and how to avoid them. The safety symbols and explanations do not by themselves eliminate any danger. The instructions or warnings they give are not substitutes for proper accident prevention measures.



SYMBOLS & DECALS

3.0 SYMBOLS & DECALS

For Safe Operation

You must be qualified for safe operation of the U.S.SAWS Belly Saw. You must clearly understand the written instructions supplied by U.S.SAWS, be trained - including actual operation - & know the safety rules & regulations for the job site. It is a safety practice to point out & explain safety signs & practices to others & to make sure they understand the importance of following these instructions.

Be Safe

Human error is the result of many factors: carelessness, fatigue, sensory overload, preoccupation, unfamiliarity with the machine or attachments, or drugs or alcohol, to name a few. You can avoid serious injury or death caused by these & other unsafe work practices. Be safe and never assume accidents cannot happen to you.

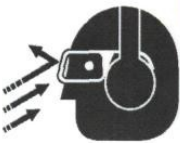
For your safety and the safety of others, act safely and encourage your fellow workers to act safely as well.



Read and understand operator's manual before using this machine. Failure to follow operating Instructions could result in injury or damage to equipment.



Use only diamond blades (steel centered diamond cutting-off wheels) with this machine. RPM rating on blade must exceed machine max rpm rating. The use of any other blade could result in death or serious injury.



Flying debris and loud noise hazards. Wear ear and eye protection



Exhaust contains poisonous carbon monoxide gas. Breathing it could cause death. Operate machine in well ventilated area.



AVOID INJURY.

Do NOT operate with guard removed. Replace guard before operating machine.



Wear safety boots when operating this machine



Wear appropriate clothing



Wear Head Protection, breathing protection, and the use of hearing protection is mandatory



Wear hand protection



Wear proper electrostatic grounding equipment at all times. Static discharge during fueling can cause explosion



Keep all guards in place



Rotating blade hazard. Keep hands and feet away.



TO AVOID INJURY.

Always inspect saw blades before use. Replace all cracked or damaged blades.



SAFETY INSTRUCTIONS

4.0 SAFETY INSTRUCTIONS

4.1 KNOW THE RULES & YOUR EQUIPMENT.

Most job sites have rules governing equipment use & maintenance. Before starting at a new work location, check with the supervisor or safety coordinator. Ask about any rules or regulations you need to abide.

OSHA enforces federal laws within the United States that apply to the safe operation, application, & maintenance of equipment on job sites. It is the employer's responsibility to comply with these laws.

Do not operate this machine unless you have read the operations and maintenance manual carefully.

4.2 RECEIVE PROPER TRAINING.

Do not operate this machine unless you have received operational and maintenance training from a U.S.SAWS representative or from an authorized distributor for U.S.SAWS.

4.3 PROTECT YOUR FEET.

Observe all applicable local, state and federal safety regulations. Wear OSHA approved foot protection.

4.4 PROTECT YOUR EYES.

Observe all applicable local, state and federal safety regulations. Wear OSHA approved safety glasses.

4.5 PROTECT YOUR LUNGS.

Breathable silica may be generated by use of this product. Silica can cause severe and permanent lung damage, cancer, and other serious diseases. Do not breathe the dust. Do not rely on your sight or smell to determine if the dust is in the air. Silica may be in the air without a visible dust cloud. If air monitoring equipment for silica is not provided by your employer at your work site, you **MUST** wear appropriate respiratory protection when using or servicing the machine. Consult your employer and OSHA regarding the appropriate respiratory protection.

4.6 PROTECT YOUR HEARING.

Observe all applicable local, state and federal safety regulations. Wear OSHA approved hearing protection.

4.7 DRESS PROPERLY.

Do not wear loose clothing or jewelry that can be caught in moving parts. Wear protective hair covering to contain long hair. Keep hair away from motor air vent. Rubber gloves and non-skid footwear are recommended when working outdoors.

4.8 AVOID A DANGEROUS ENVIRONMENT.

Do not expose machine to rain. Do not use machine in wet conditions. Water entering a power tool will increase the risk of electric shock. Keep work area well lit. When working at an elevated location, pay attention to articles and persons below. If operating the power tool in damp locations is unavoidable, use a Ground Fault Circuit Interrupter (GFCI) protected supply. Use of an GFCI reduce the risk of electric shock.

4.9 AVOID ANY AREAS OR ACTIONS THAT EXPOSE YOU TO CARBON MONOXIDE.

Do not operate in areas where exhaust fumes could accumulate without wearing appropriate respiratory protection. Consult your employer and OSHA regarding use of appropriate respirator for dangerous carbon monoxide gases.

4.10 KEEP WORK AREA CLEAN. DO NOT RUN OVER ANYTHING.

Loose objects could be thrown from crack. Make sure area to be cut is clear from people and any loose objects, nuts, bolts, etc. Never run over any loose objects.

4.11 KEEP CHILDREN AND VISITORS AWAY.

Do not allow anyone to stand in line with the blade path. Do not let children or visitors contact machine or extension cord. Keep children and visitors away from the work area.

4.12 KEEP FIRM GRIP ON MACHINE.

During normal operation as instructed in Section 6.0, keep a firm hold on the handle grips and maintain control of the machine until the blade completely stops.

4.13 SHUT OFF MACHINE.

When not in use, before servicing and when changing accessories shut off motor. Release the lever switch and move the on/off switch to the OFF position. Move the fuel valve lever to the OFF position.

4.14 STORE IDLE EQUIPMENT.

The machine and tools should be stored in a dry and secure location when not in use. Keep equipment out of reach of children.

4.15 OBTAIN SAFETY DATA SHEET (MSDS) FOR ALL WORK SURFACE MATERIALS.

This includes primers, all coatings, adhesives, tile and crack filling materials, etc. Do not attempt to cut, clean out or remove material without SDS information. Consult SDS sheet for hazards information. Be aware that some materials are explosive as a dust.

4.16 DO NOT OVERREACH.

Keep proper footing and balance at all times.

4.17 MAINTAIN MACHINE WITH CARE.

Keep machine clean and follow maintenance procedures for better and safer performance. Keep handles dry, clean, and free from oil and grease. Follow instructions for lubricating and changing accessories.

4.18 REMOVE ADJUSTING TOOLS.

Form a habit of checking to see that tools such as adjusting wrenches are removed from the machine and properly stored before starting the motor.

4.19 STAY ALERT.

Watch what you are doing. Use common sense. Do not operate machine when you are tired or fatigued.



SAFETY INSTRUCTIONS

4.20 DO NOT USE DRUGS, ALCOHOL, MEDICATION.

Do not operate machine while under the influence of drugs, alcohol, or any medication.

4.21 KEEP THE RIGHT PARTS IN THE RIGHT POSITIONS.

Do not operate machine with parts missing or improperly mounted.

4.22 CHECK DAMAGED PARTS.

Verify all parts are in good condition and will function properly before using the machine. Check for alignment of moving parts, binding of moving parts, breakage of parts, mounting, and any other conditions that may affect machine operation. Do not operate machine if lever or motor on/off switch does not function properly.

4.23 SECURELY MOUNT ACCESSORIES TO THE MACHINE.

Extra care must be taken at an elevated location to prevent injury to someone on a lower level in the event the tool or accessory should drop. Do not operate without fall protection for operator and debris protection for public.

4.24 NEVER TOUCH THE MOVING PARTS.

Never touch moving parts such as blades, belts and others.

4.25 STOP OPERATION IMMEDIATELY IF ANY ABNORMALITY IS DETECTED.

Stop using machine immediately if any abnormalities are observed during operation. Examples of abnormalities include unusual noise and vibration.

4.26 WHEN REPLACING A PART, USE THE SAME TYPE AND QUALITY.

When replacing a component part with a new one, use only the same type and quality of new part. Never attempt to repair a machine if you are unfamiliar with proper procedures and techniques required.

4.27 LOAD AND UNLOAD SAFELY.

Use proper heavy lifting procedures. Read & understand manuals before loading & unloading.

4.28 SAVE THESE INSTRUCTIONS.

Refer to this operations and maintenance manual as well as any additional instructions included from other manufacturers and organizations such as the Masonry and Concrete Saw Manufacturers Institute®. Never permit anyone to operate the machine without proper instructions.



DUST WARNING

Cutting, especially when DRY cutting, generates dust that comes from the material being cut, which frequently contains silica.

Silica is a basic component of sand, quartz, brick clay, granite and numerous other minerals and rocks. Exposure to excessive amount of such dust can cause:

- Respiratory diseases (affecting your ability to breath), including chronic bronchitis, silicosis and pulmonary fibrosis from exposure to silica. These diseases may be fatal;
 - Skin irritation and rash; and
 - Cancer according to NTP* and IARC*
- * National Toxicology Program, International Agency for Research on Cancer

Take precautionary steps

- Avoid inhalation of and skin contact with dust, mist and fumes;
- Wet cut when feasible, to minimize dust;
- Wear and ensure that all bystanders wear appropriate respiratory protection such as dust masks designed to filter out microscopic particles. (See OSHA 29 CFR Part 1910.1200)

California Prop 65 Warning: Use of this product can cause exposure to materials known to the State of California to cause cancer and/or birth defects or other reproductive harm.



PRE-OPERATION CHECKLIST

5.0 PRE-OPERATION CHECKLIST

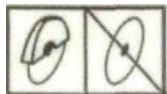


Read and understand operator's manual before using this machine. Failure to follow operating instructions could result in injury or damage to equipment.

Figure 1 - Warning label - read and understand manual

5.1 Start by reading the entire Owner's Manual, Rx for Diamond Blade Safety, and Rx for Concrete Saws by the Masonry and Concrete Saw Manufacturers Institute. Then, read the entire Belly Saw operations and maintenance manual. Get familiar with the machine's parts.

TO PREVENT SERIOUS INJURY DO NOT OPERATE SAW WITHOUT PROPER TRAINING AND UNDERSTANDING OF THE OWNERS MANUAL WHEN OPERATING THIS MACHINE



Keep all guards in place



Wear Head Protection, breathing protection, and the use of hearing protection is mandatory



Flying debris and loud noise hazards. Wear ear and eye protection



Wear hand protection



Rotating blade hazard. Do NOT operate with guard up. Keep hands and feet away.



WARNING: Improperly maintaining the Belly Saw failing to correct a problem before operation could cause a malfunction resulting in a serious injury. Always perform a pre-operation inspection before each operation and correct any problem.

5.2 Observe the condition of your work environment. Walk over area work area and look for hazards. Make sure the work environment is safe and meets all safe-working conditions discussed in section 4, Rules for safer operation.

5.3 Check for missing or loose bolts. Tighten loose bolts and replace missing bolts before operating machine.

5.4 Dress properly. Wear ear and eye protection.

5.5 Obtain SAFETY DATA SHEET (SDS) for all work surface materials. This includes primers, all coatings, adhesives, tile and crack filling materials, etc. Do not attempt to cut, clean out, or remove material without SDS information. Consult SDS sheet for health hazards information.



WARNING: The U.S.SAWS Belly Saw maximum blade operating speed is 5250-6000 rpm. Do not use a blade that is not a dry cut diamond blade. Using a non dry cut diamond blade or a blade rated below 5250-6000 rpm could result in severe blade failure, personal injury or death. Never cut material for which the blade was not designed. Check blade manufacturer's guidelines on material to be cut. Never operate a blade in the wrong rotation direction. Verify blade direction when changing blades. The U.S.SAWS Belly Saw is designed to cut in a straight line. Never attempt to cut any pattern or follow any joint that is not a straight line.

5250 - 6000 MAX. RPM

Figure 2 - Max rpm label - maximum blade speed

5.6 Choose the proper dry cut diamond blade for the application, speed and material to be cut.



Use only diamond blades (steel centered diamond cutting-off wheels) with this machine. RPM rating on blade must exceed machine max rpm rating. The use of any other blade could result in death or serious injury.

Figure 3 - Warning label - use only diamond blades

5.7 Clearly mark all intended cut areas with straight paint or chalk lines.



CAUTION: Running the Belly Saw generates heat in the motor, blade. Do not touch these components without wearing proper heat protecting work gloves.



WARNING: Breathable silica may be generated by use of this product. Silica can cause severe and permanent lung damage, cancer, and other serious diseases. Do not breath the dust. Do not rely on your sight or smell to determine if the dust is in the air. Silica may be in the air without a visible dust cloud. If air monitoring equipment for silica is not provided by your employer at your work site, you MUST wear appropriate respiratory protection when using or servicing the machine. Consult your employer and OSHA regarding the appropriate respiratory protection.



OPERATION

6.0 OPERATIONS

6.1 SAFE ALTERNATIVE TO OTHER CUTTING METHODS

6.1.1 The U.S.SAWS Belly Saw is designed to provide a safe alternative to other cutting methods that can be difficult and dangerous because of the subgrade location of pipes. The key factor that provides ease and safer operation is that the tool is strapped to the pipe and is simply drawn around the pipe creating a straight and efficient cutting process. Other Key factors are that because of the use of air or hydraulic power sources the tools can run in the wet conditions without failure. To provide the most accurate and time efficient cutting follow the procedures below.

6.2 ENSURE AN ACCURATE CUT

6.2.1 The belly saw was originally designed to cut the bottom 3/4 of a pipe. Many operators have determined that the belly saw provides simple and easy cutting of the entire pipe. In order to ensure an accurate cut that finishes where the cut begins several procedures must be taken. Once all job site safety conditions have been met pressurize the tools lines. Ensure safety clips are used where required so lines do not disconnect accidentally. One should take care to make sure proper clearance has been provided on all sides of the line being cut. If an object creates interference during the cutting process there will be difficulty completing the cut accurately. The pipe must also be cleaned of rust, dirt, and unusually rough surface obstructions.

6.3 WHILE OPERATING THE SAW

6.3.1 With the roller strap removed from the belly saw plunge cut the tool in a free hand method. The tool will be pulled in the direction of the handle that has the throttle/ control valve. For that reason we recommend that the tool be plunged slightly off the 12 o'clock mark toward the throttle handle side. This will help to ensure good visibility of the saw as you complete the cut, near the 12 o'clock position of the pipe. It is also should be noted that a line should be made from 10 to 2 O'clock over the top of the pipe. While plunging the tool into the pipe reference this line with the edge of the cutting guard- do not line up with the blade. Once the strap is installed you will not be able to see anything directly in the path of the blade or under the blade guard. As the cut is completed you will be able to see the reference mark at the 10 o'clock position and can make adjustments to the cut if you have tracked off course during the cut.



6.3.2 Once the plunge cut has been made and the tools alignment is satisfactory the strap must be installed. It will also be time to add any additional reference marks to the cutting surface to help aid in alignment start/ stop locations, etc..



6.3.3 Pull belly saw in the direction of the throttle handle. This will provide the straightest cut. If the tool is pushed from this handle the saw will track of course even if light pressure is applied. Once you reach the termination of the cut you can release the strap and remove the saw. If the cut has not completed in perfect alignment this would be the opportunity to adjust the cut in a freehand method. If the cut does align perfectly use caution as pressure from ground shifting can cause the pipe to shift without notice and with tremendous force. The weight of the cut pipe can pull the saw out of an operator's hands when the tool is strapped to that pipe. This is why we recommend not completing the cut until the saw is removed/ unstrapped from the pipe and a more visible finish cut is made.

Pipe Size	Depth of Cut*	Number of Links
8	2.09	2 Long 1 Short
10	1.71	2 Long 1 Short
12	1.48	3 Long 1 Short
14	1.32	3 Long 1 Short
16	1.2	4 Long 1 Short
18	1.11	4 Long 1 Short
20	1.04	4 Long 1 Short
24	0.93	4 Long 1 Short



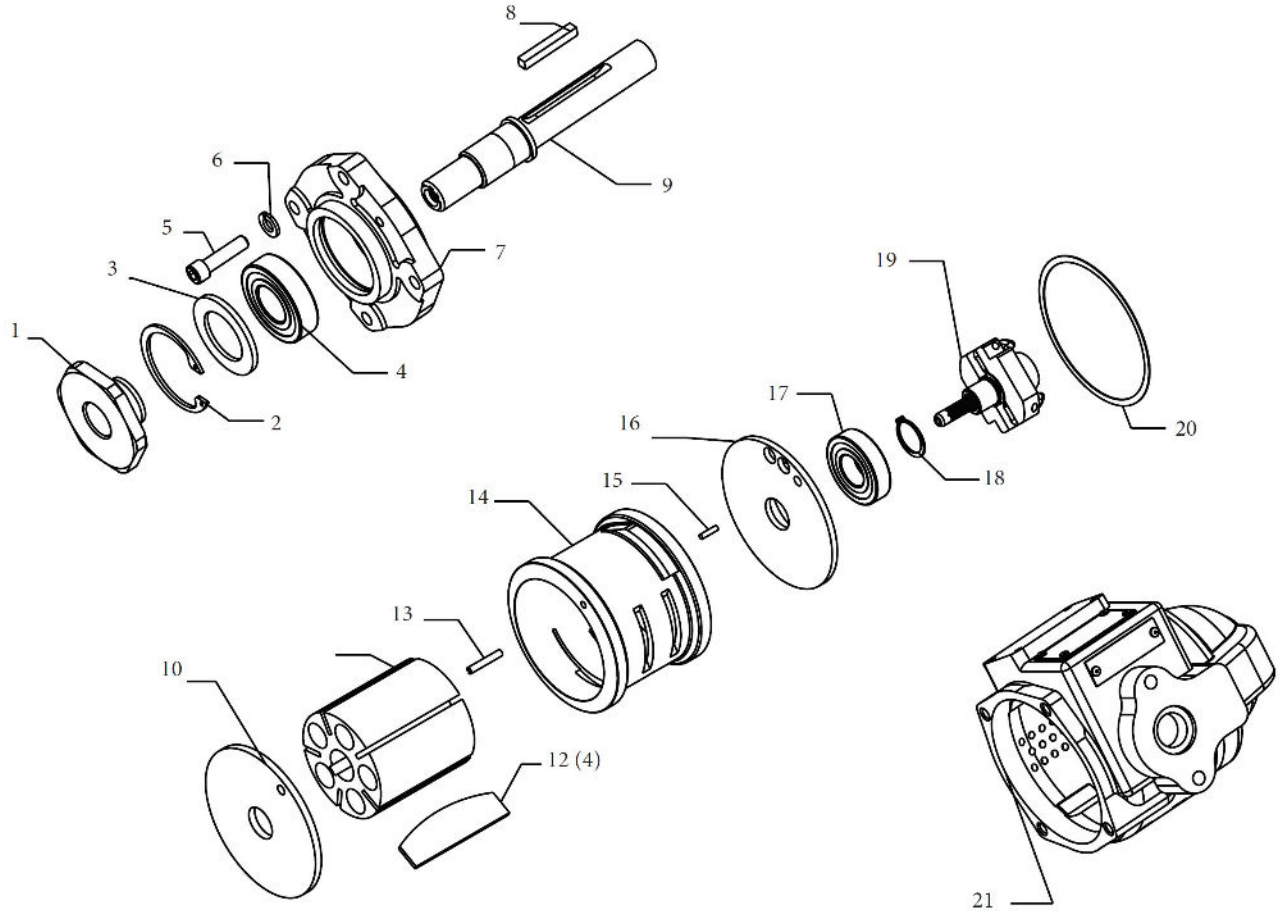
* Measured from outside diameter of pipe to tip of blade.

6.3.4 In certain situations the rollers may interfere with the saw or on thick types of pipe the saws strap may contact the pipe. This will hinder a free moving tool during the cut. In these cases you may spread the roller trucks apart for better coverage around the pipe.



PARTS BREAKDOWN

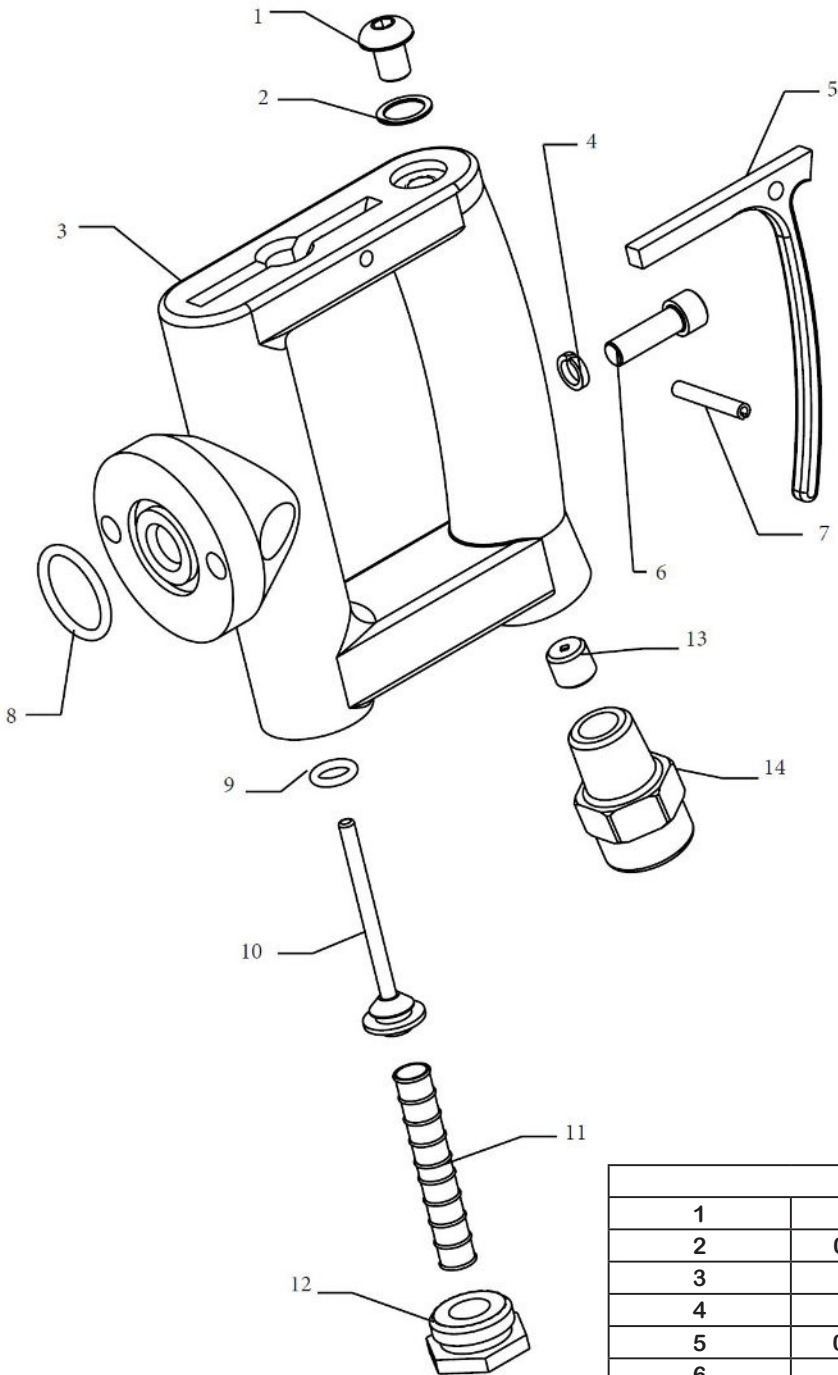
7.0 Parts Breakdown



Number	Part Number	Description
Motor Breakdown		
1	02-55012B	Flange Nut
2	02-55021	Retainer Clip
3	02-55025	Bearing Spacer
4	02-70070	Output Bearing
5	02-7047A	Cover Bolt
6	02-70046	Cover Bolt Lock Washer (1/4)
7	02-5501BTB	Bearing Cover
8	02-55010	Spindle Key
9	02-55580	Spindle Shaft
10	02-55070	Thrust Plate
11	02-55050	Rotor
12	02-55060	Vane
13	02-70037	Roll Pin (Long)
14	02-55020	Cylinder (Right Rotation)
15	02-40044	Roll Pin (Short)
16	02-55030	Inner Thrust Plate
17	02-70090	Bearing (Gov)
18	02-10005	Retainer Clip-Spacer
19	02-AA55085	Governor Assembly
20	02-55013	Gasket
21	02-AUSS5551V	Motor Housing



PARTS BREAKDOWN



Handle Breakdown		
1	02-70023	Trigger Stop Bolt
2	02-832636	Washer Gasket
3	02-550H3	Trigger Body
4	02-70054	Lock Washer (5/16 High Collar)
5	02-700S20	Trigger
6	02-70048	Cap Screw
7	02-60055	Trigger Retainer - Roll Pin
8	02-70030	O-Ring (Flange)
9	02-20090	O-Ring (Valve)
10	02-56019	Valve Pin
11	02-60052A	Valve Spring
12	02-700S26	Valve Retaining Cover
13	02-56016	Inlet Screen
14	02-841555	Inlet Bushing



WARRANTY AND SERVICE

8.0 WARRANTY AND SERVICE

8.1.1 Warranty

This document is to be used as a guide in determining warranty policies and procedures for U.S.SAWS and its U.S.SAWS products. It is to be used in determining whether a warranty is justified and as a procedural guide in completing a U.S.SAWS warranty claim form.

8.1.2 Warranty Responsibility

The distributor or the end user must prepare a Machine Warranty Information Card when the machine is delivered. Failure to comply will make any and all warranties on this equipment null and void. Credit for warranty repairs will be given only after receipt of the WARRANTY CLAIM FORM, properly completed with all the required details. Submittal details are described later in this document.

8.1.3 Warranty Policy

8.1.3.1 U.S.SAWS warrants its U.S.SAWS products against defects in material and workmanship under normal and proper use for a period of one year (365) days from the date of delivery; in the case of Rental Fleet Machines, date of assignment to Rental Fleet. Such warranty is extended only to the buyer who purchases the equipment directly from U.S.SAWS or its authorized distributor. This warranty does not include expendable parts such as, but not limited to, plugs, cutters, blades, blast wheel, wear parts, liners and seals.

8.1.3.2 The obligation under this warranty is strictly limited to the replacement or repair, at US SAWS's option, of machines and does not include the cost of transportation, loss of operating time, or normal maintenance services.

8.1.3.3 This warranty does not apply to failure occurring as a result of abuse, misuse, negligence, corrosion, erosion, normal wear and tear, alterations or modifications made to the machine without express written consent of U.S.SAWS .

8.1.3.4 Warranty request must be submitted in writing within thirty (30) days after failure.

8.1.3.5 Written authorization to return merchandise under warranty must first be obtained from U.S.SAWS .

8.1.3.6 U.S.SAWS reserves the right to inspect and make the final decision on any merchandise returned under warranty.

8.1.3.7 U.S.SAWS offers no warranty with respect to accessories, including but not limited to, engines, motors, batteries, electrical boards, tires and any other parts not manufactured by us but which the original manufacturer warrants.

8.1.3.8 U.S.SAWS reserves the right to make product changes or improvements without prior notice and without imposing any obligation upon itself to install the same on its products previously sold.

8.1.3.9 The above warranty conditions can only be altered by US SAWS. US SAWS must confirm alterations in writing for each specific transaction.

8.1.3.10 U.S.SAWS reserves the right to establish specific warranty terms for used or demo machines on an individual transaction basis. Invoices covering such merchandise will clearly state the provisions of the applicable warranty for each specific transaction.

8.1.3.11 WE DO NOT AUTHORIZE ANY PERSON, REPRESENTATIVE OR SERVICE OR SALES ORGANIZATION TO MAKE ANY OTHER WARRANTY OR TO ASSUME FOR US ANY LIABILITY IN CONNECTION WITH THE SALE OF OUR PRODUCTS OTHER THAN THOSE CONTAINED HEREIN.

8.1.3.12 UNDER NO CIRCUMSTANCES SHALL US SAWS BE LIABLE TO CUSTOMER OR ANY OTHER PERSON FOR ANY DIRECT, INCIDENTAL, OR CONSEQUENTIAL DAMAGES RESULTING FROM THE USE OF THE PRODUCT OR ARISING OUT OF ANY BREACH OF ANY WARRANTY OR FOR ANY SPECIAL OR CONSEQUENTIAL DAMAGES OF ANY CHARACTER, INCLUDING WITHOUT LIMITATIONS, DAMAGES FOR ANY LOSS OF GOODWILL, WORK STOPPAGE, OR ANY AND ALL OTHER COMMERCIAL DAMAGES OR LOSSES.

8.1.3.13 U.S.SAWS MAKES NO OTHER WARRANTIES, EXPRESSED OR IMPLIED, INCLUDING, BUT NOT LIMITED TO, THE IMPLIED WARRANTIES OF MERCHANTABILITY AND FITNESS FOR A PARTICULAR PURPOSE WITH RESPECT TO THE US SAWS PRODUCTS SOLD PURSUANT THERETO.



MACHINE WARRANTY INFORMATION CARD

TO ENSURE THE PROPER WARRANTY COVERAGE IS EXTENDED TO THE OWNER OF THIS MACHINE, FILL OUT THE ATTACHED CARD COMPLETELY AND ACCURATELY.

WARRANTY REGISTRATION CARD

IMPORTANT! To ensure that your U.S.SAWS machine is covered under warranty, please fill in the following information and mail or fax it to U.S.SAWS, 8004B E. Broadway Ave. Tampa, FL 33619, Fax No. 714-434-7299

COMPANY
NAME
ADDRESS
INTENDED USE
DATE OF PURCHASE
INTENDED USE
SERIAL NUMBER

If you are not the owner of record as shown on the manual copy of the warranty registration card, do not operate this machine before contacting U.S.SAWS at 1-866-987-7297 Verify the following before operating the equipment:

CHANGE OF OWNER OR NEW ADDRESS REGISTRATION CARD

IMPORTANT! To ensure that your U.S.SAWS machine is covered under warranty, please fill in the following information and mail or fax it to U.S. SAWS, 8004B E. Broadway Ave. Tampa, FL 33619, Fax No. 714-434-7299

COMPANY
NAME
ADDRESS
INTENDED USE
DATE OF PURCHASE
INTENDED USE
SERIAL NUMBER

11

