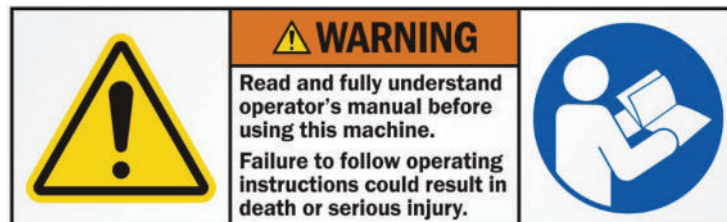


U.S.SAWS™



U.S.SAWS TC-7 STAND-UP EDGER OPERATING MANUAL



Notice of Copyright Protection

Copyright 2020, by U.S.SAWS . All rights reserved. This work may not be reproduced or disseminated in whole or in part by any means without the prior written permission of U.S.SAWS

05-13-2026

U.S.SAWS™

SURFACE PREP
DIVISION

877-817- 6687
Visit us at www.ussaws.com
sales@ussaws.com



INTRODUCTION & SPECIFICATIONS

1.0 INSTRUCTIONS FOR USE OF MANUAL SECTIONS

Section	Page
Table of Contents & Introduction	2
Symbols & Decals	3
Safety Instruction	4 - 5
Operation	6
Parts Breakdown	7 - 10
Warranty & Service	11 - 12

Foreword/Introduction

The owner's manual is intended to point out some of the basic safety situations that maybe encountered during the normal operation & maintenance of the TC-7 Stand-up Edger & to instruct you in safety practices for dealing with these conditions. Keep all manuals provided with your machine in a safe place at all times.

The information and specifications included in this publication were in effect at the time of approval for printing. U.S.SAWS reserves the right, however, to discontinue or change specifications or design at any time without notice and without incurring any obligation.

The U.S.SAWS TC-7 Stand-Up Edge Grinder was designed for concrete floor grinding and polishing concrete surfaces near walls and other vertical surfaces. This grinder can be used indoors or outdoors in small or large spaces. This edge grinder utilizes 7" diamond cup wheel to level, smooth, or clean the edges of the concrete slab. The U.S.SAWS TC-7 floor grinder features the U.S.SAWS Generation 2 concrete dust shroud system for a clean, dust-free work environment.

Dangers, Warnings and Cautions.

The purpose of safety symbols and explanations are to attract your attention to possible hazards and how to avoid them. The safety symbols and explanations do not by themselves eliminate any danger. The instructions or warnings they give are not substitutes for proper accident prevention measures.



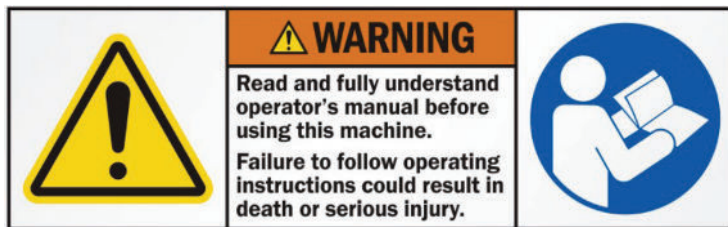
DANGER: Indicates an imminently hazardous situation that if not avoided, will result in death or serious injury. This signal word is limited to the most extreme situations.



WARNING: Indicates a potentially hazardous situation that, if not avoided, could result in death or serious injury.



CAUTION: Indicates a potentially hazardous situation that, if not avoided may result in minor or moderate injury. It may also be used to alert against unsafe practices that may cause property damage.



Model Identification: Record machine serial number plate information below for future reference

2.0 SPECIFICATIONS

TC-7 EDGER SPECIFICATIONS	
Part Number	SX67000
Power Source	Metabo 24- 230 15 AMP 6600 RPM
Includes	Metabo 24-230, 7" 24 segment turbo cup wheel and shroud
Power Requirements	115V, 15AMP
Grinding Wheels Used	7" Diamond Cup Wheels, PCDs, ZEC Wheels, EZ Edge Ceramic Wheels, Polishing Pads
Weight	50 lbs
Variable Speed Control	SX67099



SYMBOLS & DECALS

3.0 SYMBOLS & DECALS

For Safe Operation

You must be qualified for safe operation of the U.S.SAWS TC-7 machine. You must clearly understand the written instructions supplied by U.S.SAWS, be trained - including actual operation - & know the safety rules & regulations for the job site. It is a safety practice to point out & explain safety signs & practices to others & to make sure they understand the importance of following these instructions.

Be Safe

Human error is the result of many factors: carelessness, fatigue, sensory overload, preoccupation, unfamiliarity with the machine or attachments, or drugs or alcohol, to name a few. You can avoid serious injury or death caused by these & other unsafe work practices. Be safe and never assume accidents cannot happen to you.

For your safety and the safety of others, act safely and encourage your fellow workers to act safely as well.



Wear appropriate clothing



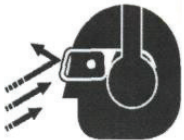
Wear hand protection



Wear proper electrostatic grounding equipment at all times.



Read and understand operator's manual before using this machine. Failure to follow operating Instructions could result in injury or damage to equipment.



Always wear protective glasses or full face protection



Wear Head Protection, breathing protection, and the use of hearing protection is mandatory



Wear safety boots when operating this machine



SAFETY INSTRUCTIONS

4.0 SAFETY INSTRUCTIONS

4.1 KNOW THE RULES & YOUR EQUIPMENT.

Most job sites have rules governing equipment use & maintenance. Before starting at a new work location, check with the supervisor or safety coordinator. Ask about any rules or regulations you need to abide.

OSHA enforces federal laws within the United States that apply to the safe operation, application, & maintenance of equipment on job sites. It is the employer's responsibility to comply with these laws.

Do not operate this machine unless you have read the operations and maintenance manual carefully.

4.2 RECEIVE PROPER TRAINING.

Do not operate this machine unless you have received operational and maintenance training from a U.S. SAWS representative or from an authorized distributor for U.S.SAWS.

4.3 PROTECT YOUR FEET.

Observe all applicable local, state and federal safety regulations. Wear OSHA approved foot protection.

4.4 PROTECT YOUR EYES.

Observe all applicable local, state and federal safety regulations. Wear OSHA approved safety glasses.

4.5 PROTECT YOUR LUNGS.

Breathable silica may be generated by use of this product. Silica can cause severe and permanent lung damage, cancer, and other serious diseases. Do not breathe the dust. Do not rely on your sight or smell to determine if the dust is in the air. Silica may be in the air without a visible dust cloud. If air monitoring equipment for silica is not provided by your employer at your work site, you MUST wear appropriate respiratory protection when using or servicing the machine. Consult your employer and OSHA regarding the appropriate respiratory protection.

4.6 PROTECT YOUR HEARING.

Observe all applicable local, state and federal safety regulations. Wear OSHA approved hearing protection.

4.7 DRESS PROPERLY.

Do not wear loose clothing or jewelry that can be caught in moving parts. Wear protective hair covering to contain long hair. Keep hair away from motor air vent. Rubber gloves and non-skid footwear are recommended when working outdoors.

4.8 AVOID A DANGEROUS ENVIRONMENT.

Do not expose machine to rain. Do not use machine in wet conditions. Water entering a power tool will increase the risk of electric shock. Keep work area well lit. When working at an elevated location, pay attention to articles and persons below. If operating the power tool in damp locations is unavoidable, use a Ground Fault Circuit Interrupter (GFCI) protected supply. Use of an GFCI reduce the risk of electric shock.

4.9 ELECTRICAL SAFETY

Power tool plugs must match the outlet. Never modify the plug in any way. Do not use any adapter plugs with earthed (grounded) power tools. Unmodified plugs and matching outlets will reduce risk of electric shock. Avoid body contact with earthed or grounded surfaces such as pipes,

radiators, ranges and refrigerators. There is an increased risk of electric shock if your body is earthed or grounded.

4.10 ELECTRICAL CORD MANAGEMENT

Do not abuse the cord. Never use the cord for carrying, pulling or unplugging the power tool. Keep cord away from heat, oil, sharp edges or moving parts. Damaged or entangled cords increase the risk of electric shock. When operating a power tool outdoors, use an extension cord suitable for outdoor use. Use of a cord suitable for outdoor use reduces the risk of electric shock.

4.11 AVOID ANY AREAS OR ACTIONS THAT EXPOSE YOU TO CARBON MONOXIDE.

Exhaust gas from gasoline engines contains dangerous carbon monoxide. Breathing it can cause unconsciousness and even kill you. Always operate gasoline engine machines in a well-ventilated area. Do not operate in areas where exhaust fumes could accumulate without wearing appropriate respiratory protection. Consult your employer and OSHA regarding use of appropriate respirator for dangerous carbon monoxide gases.

4.12 KEEP WORK AREA CLEAN. DO NOT RUN OVER ANYTHING.

Loose objects could be thrown from crack. Make sure area to be cut is clear from people and any loose objects, nuts, bolts, etc. Never run over any loose objects.

4.13 KEEP CHILDREN AND VISITORS AWAY.

Do not allow anyone to stand in line with the blade path. Do not let children or visitors contact machine or extension cord. Keep children and visitors away from the work area.

4.14 KEEP FIRM GRIP ON MACHINE.

During normal operation as instructed in Section 6.0, keep a firm hold on the handle grips and maintain control of the machine until the blade completely stops.

4.15 SHUT OFF MACHINE.

When not in use, before servicing and when changing accessories shut off engine. Release the lever switch and move the on/off switch to the OFF position. Move the fuel valve lever to the OFF position.

4.16 STORE IDLE EQUIPMENT.

The machine and tools should be stored in a dry and secure location when not in use. Keep equipment out of reach of children.

4.17 OBTAIN SAFETY DATA SHEET (SDS) FOR ALL WORK SURFACE MATERIALS.

This includes primers, all coatings, adhesives, tile and crack filling materials, etc. Do not attempt to cut, clean out or remove material without SDS information. Consult SDS sheet for hazards information. Be aware that some materials are explosive as a dust.

4.18 DO NOT OVERREACH.

Keep proper footing and balance at all times.

4.19 MAINTAIN MACHINE WITH CARE.

Keep machine clean and follow maintenance procedures for better and safer performance. Keep handles dry, clean, and free from oil and grease. Follow instructions for lubricating and changing accessories.



SAFETY INSTRUCTIONS

4.20 REMOVE ADJUSTING TOOLS.

Form a habit of checking to see that tools such as adjusting wrenches are removed from the machine and properly stored before starting the engine.

4.21 STAY ALERT.

Watch what you are doing. Use common sense. Do not operate machine when you are tired or fatigued.

4.22 DO NOT USE DRUGS, ALCOHOL, MEDICATION.

Do not operate machine while under the influence of drugs, alcohol, or any medication.

4.23 KEEP THE RIGHT PARTS IN THE RIGHT POSITIONS.

Do not operate machine with parts missing or improperly mounted.

4.24 CHECK DAMAGED PARTS.

Verify all machine guards are in good condition and will function properly before using the machine. Check for alignment of moving parts, binding of moving parts, breakage of parts, mounting, and any other conditions that may affect machine operation. A guard, power switch or other part that is damaged should be properly repaired or replaced by an authorized service center unless indicated elsewhere in this instruction manual. Do not operate machine if lever or engine on/off switch does not function properly.

4.25 SECURELY MOUNT ACCESSORIES TO THE MACHINE.

Extra care must be taken an elevated location to prevent injury to someone on a lower level in the event the tool or accessory should drop. Do not operate without fall protection for operator and debris protection for public.

4.26 NEVER TOUCH THE MOVING PARTS.

Never touch moving parts such as blades, belts and others.

4.27 STOP OPERATION IMMEDIATELY IF ANY ABNORMALITY IS DETECTED.

Stop using machine immediately if any abnormalities are observed during operation. Examples of abnormalities include unusual noise and vibration.

4.28 WHEN REPLACING A PART, USE THE SAME TYPE AND QUALITY.

When replacing a component part with a new one, use only the same type and quality of new part. Never attempt to repair a machine if you are unfamiliar with proper procedures and techniques required.

4.30 LOAD AND UNLOAD SAFELY.

Use proper heavy lifting procedures. Read & understand manuals before loading & unloading.

4.31 SAVE THESE INSTRUCTIONS.

Refer to this operations and maintenance manual as well as any additional instructions included from other manufacturers and organizations such as Honda® and the Masonry and Concrete Saw Manufacturers Institute®. Never permit anyone to operate the machine without proper instructions.

IMPORTANT POWER REQUIREMENTS

This general guideline is for all U.S.SAWS branded tools that use a 15amp 7/9" Metabo Grinder as it's motor.

The "maximum" length of a power cord for a 15 amp, 120-volt tool isn't a single, fixed number, as it depends heavily on the wire gauge (thickness) of the cord and the tolerance for voltage drop.

Generally, this is what is recommended:

- 25 feet: A 14 AWG cord is generally acceptable for 15-amp tools.
- 50 feet: A 12 AWG cord is recommended for 15-amp tools at this length. Some 14 AWG cords might be rated for 15A at 50ft by some manufacturers, but 12 AWG is safer to minimize voltage drop.
- 100 feet: For 15-amp tools at 100 feet, you should ideally use a 10 AWG cord. A 12 AWG cord at 100 feet with a full 15A load will likely result in a voltage drop close to or exceeding the 5% recommendation.

U.S.SAWS does not recommend using a cord longer than 100 feet.

Alternatives, like a generator or a Gas or Propane saw are recommended. IF YOU MUST use a cord longer than 100 feet, care MUST be taken to not push too hard and overload the tool. Melted grinder internal parts due to voltage drop are **NOT UNDER WARRANTY**.

Voltage Drop is the Critical Factor:

* Lower AWG = Thicker Wire = Less Resistance: Thicker wires (lower AWG numbers like 10 AWG) have less electrical resistance than thinner wires (higher AWG numbers like 16 AWG). This means thicker wires can carry more current and for longer distances with less voltage drop.

Important Considerations:

1. * Continuous vs. Intermittent Use: Tools that run continuously (like a grinder) will experience more heat buildup and voltage drop than tools used intermittently (like a drill).
2. * Type of Load: Inductive loads (motors) are more sensitive to voltage drop than resistive loads (heaters, lights).
3. * Coiled Cords: Always fully unroll extension cords. A coiled cord can act like an inductor, generating heat and increasing resistance, leading to more voltage drop and a fire hazard.
4. * Quality of Cord: Look for UL-approved cords. Heavy-duty cords with good insulation and connectors are always a better choice.



DUST WARNING

Cutting, especially when DRY cutting, generates dust that comes from the material being cut, which frequently contains silica.

Silica is a basic component of sand, quartz, brick clay, granite and numerous other minerals and rocks. Exposure to excessive amount of such dust can cause:

- Respiratory diseases (affecting your ability to breath), including chronic bronchitis, silicosis and pulmonary fibrosis from exposure to silica. These diseases may be fatal;
 - Skin irritation and rash; and
 - Cancer according to NTP* and IARC*
- * National Toxicology Program, International Agency for Research on Cancer

Take precautionary steps

- Avoid inhalation of and skin contact with dust, mist and fumes;
- Wet cut when feasible, to minimize dust;
- Wear and ensure that all bystanders wear appropriate respiratory protection such as dust masks designed to filter out microscopic particles. (See OSHA 29 CFR Part 1910.1200)

California Prop 65 Warning: Use of this product can cause exposure to materials known to the State of California to cause cancer and/or birth defects or other reproductive harm.

U.S.SAWS™

SURFACE PREP DIVISION

877-817- 6687
Visit us at www.ussaws.com
sales@ussaws.com



OPERATION

5.0 OPERATION

The **U.S.SAWS TC-7 Stand-up Edger** features:

- Powered by Metabo's W24-230, 15 amp electric grinder
- U-shaped frame puts the operator in a comfortable working position
- Adjustable outrigger wheel for various head pressure
- Forward control handle features comfortable shock absorbing grip

Start-up

5.1 Select the appropriate cup wheel or polishing pad for the task at hand.

5.2 Make sure the cup wheel is properly mounted to the grinder. The TC-7 comes with a matched set of blade Adapter Nuts with the letters "B-CV" stamped on the side of the "arbor nut" and the letters/numbers "C-1" stamped on the side of the "Blade Nut". This set of "Adapter Nuts" is made to a specific height to accommodate the standard cup wheel height. Low profile or thread on cup wheels may not work unless spaced properly. The grinding surface of the cup wheel and the edge of the dust shroud should be at the same level and touch the surface at the exact same time. If the cup wheel protrudes from the shroud, dust will escape. If the cup wheel sits too deep in the shroud, it will require excess downforce and make the machine uncontrollable.

5.3 Make sure the trigger is in the unlocked position and plug the cord into your extension cord. It is recommended to use a cord that is 10 gauge and less than 50 ft long. We realize this is not always possible but don't use a 200 foot 16 gauge cord if there's an outlet 20 ft from where you're working. Too long of a cord will eventually burn the grinder out.

5.4 Attach your dust collector hose to the hose port on the dust shroud. By OSHA regulations, you must use a vacuum with 175+ cfm.

5.5 Hold the front handle firmly but don't apply downforce yet. Hold the trigger handle firmly, press the safety lock on the trigger forward, and then squeeze the trigger to start the grinder. The grinder will immediately start to full speed so be ready to control the machine.

5.6 Keep the machine moving. If you stop moving, you will leave a mark in the floor. Most professionals prefer to make small overlapping circles to finesse the surface to the desired profile.

5.7 Once you are comfortable, you may choose to lock the trigger in the ON position. NEVER take your hand off the trigger handle.

Pitch Control

5.8 The Front Handle will pivot from side to side allowing the cup wheel to have higher pressure downforce on the right or left. The operator should never elevate one side of the cup wheel, just apply pressure in different areas as needed. The operator feeling is similar to using a hand grinder with a Loop Handle. This is especially important on wavy slabs.

5.9 The Rear Pitch Control Handle is under the trigger and can be lifted up on to angle the front of the grinder down. This is mainly used when there is a slight curl to the slab where it meets a wall, to ensure that the cup wheel is preparing the surface all the way to the edge of the wall. Do not pull up with excessive pressure. The operator will be able to feel the front of the TC-7 pull to the left if too much input is applied to the Rear Pitch Control Handle.

Polishing & Use of the variable speed controller

5.10 To install the variable speed controller, use two self-tapping screws to attach it to the frame just in front of the rear control handle.

5.11 Plug the control handle cord into the speed controller and the speed controller into your extension cord.

5.12 It is advised to run the grinder at the highest speed possible to achieve your desired results. Too low of a speed will cause excessive heat in the grinder and cause damage.

5.13 It is advised to not apply excessive downforce while polishing. The speed controller comes equipped with a 20 amp fuse and if you are constantly blowing fuses, your pushing down too hard.

5.14 It is advised to not use a metal bond cup wheel with the speed controller. The high drag caused by a diamond cup wheel can damage the speed controller. It can be safely done, but you can't apply a lot of downforce.

Steel backing Pad

5.15 The TC-7 Polishing package comes with a rigid steel backing pad and it is superior on this machine than a flexible one.

5.16 Install the "E&F" marked arbor nut set. Thread the "F" nut on to the shaft of the grinder. Put the shaft of the "E" nut through the arbor hole of the pad and thread on to the already installed "F" nut. Do not use excessive force to tighten.

Tips for use

5.15 Practice. This machine has a learning curve to use and some operators will be more comfortable than others. After a few minutes, an experienced hand grinding technician should feel just as comfortable with this machine as a hand held grinder.

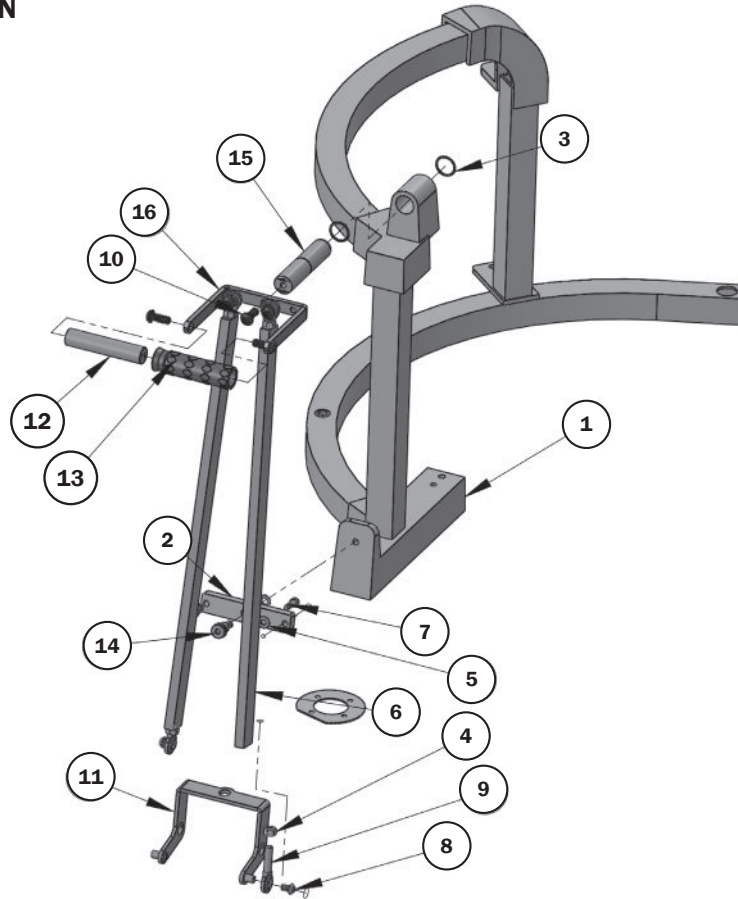
5.16 Don't hunch over. The curve in the frame is there to allow you to stand upright and not have to reach out to the controls. This machine was built for the average height man (5'7" to 6'2")

5.17 Keep your jobsite clean. You will be much more satisfied with this machine if you have a clean floor and are not running over cords, hoses, rocks, broomsticks, buckets, empty red bull cans, and whatever else your guys, (and the electricians and plumbers) leave all over the ground.



PARTS BREAKDOWN

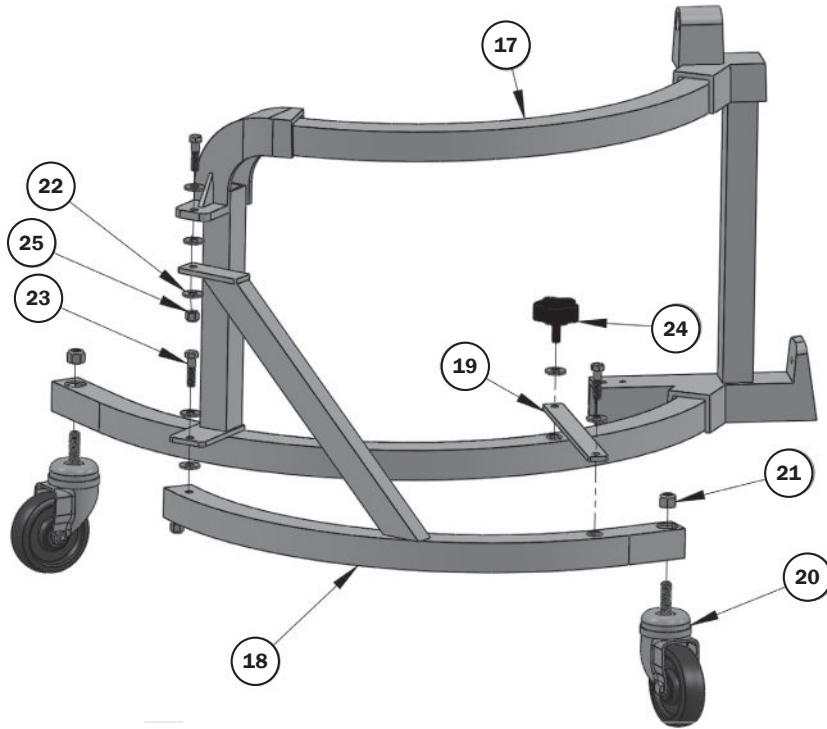
6.0 TC-7 PARTS BREAKDOWN



ITEM	QUANTITY	PART NUMBER	DESCRIPTION
1	1	US67101	FRAME, STAND UP EDGER
2	1	US67121	FRONT TOGGLE
3	2	US67107	SPIRAL RETAINING RING, 1" SHAFT
4	4	US31052-5	3/8" - 24 HEX NUT
5	2	US60225	1/4" FLAT WASHER SAE
6	2	US67106	UPRIGHT CONTROL LINK
7	2	US31601	5/16" X 1/2" SHOULDER BOLT 1/4" - 20 THREAD
8	2	US31208	5/16-18 X 5/8 BUTTON HEAD SOCKET
9	4	US67119	3/8" - 24 ROD END
10	5	US31168	3/8" - 16 X 1" BUTTON HEAD CAP SCREW
11	1	US67109	GRINDER MOUNT SADDLE WELDMENT
12	1	US67126	TILT HANDLE BAR
13	1	US32403	GRIP, 7/8" ID
14	1	US60237	1/2" X 1/2" SHOULDER BOLT, 3/8"- 16 THREAD
15	4	US67122	HANDLE PIVOT ROD
16	5	US67123	TILT HANDLE BRACKET



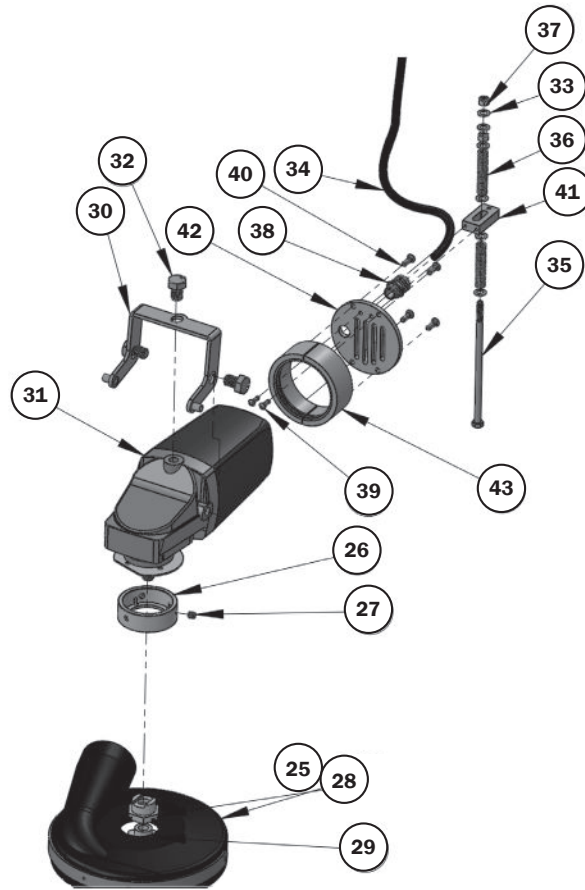
PARTS BREAKDOWN



ITEM	QUANTITY	PART NUMBER	DESCRIPTION
17	1	US67101	FRAME STAND UP EDGER
18	1	US67102	SUPPORT LEG
19	1	US67124	LEG STOP BAR
20	2	SX20121	CASTER 4" WHEEL, 1/2
21	2	US31351-1	1/2" - 13 NYLOCK NUT
22	8	US31337	3/8" USS FLAT WASHER
23	3	US31156	3/8" - 16 X 1-1/2" HEX HEAD CAP SCREW
24	1	SX73706	KNOB 3/8" - 16" X 1"
25	2	US31052-2	3/8" - 16 NYLON LOCK NUT



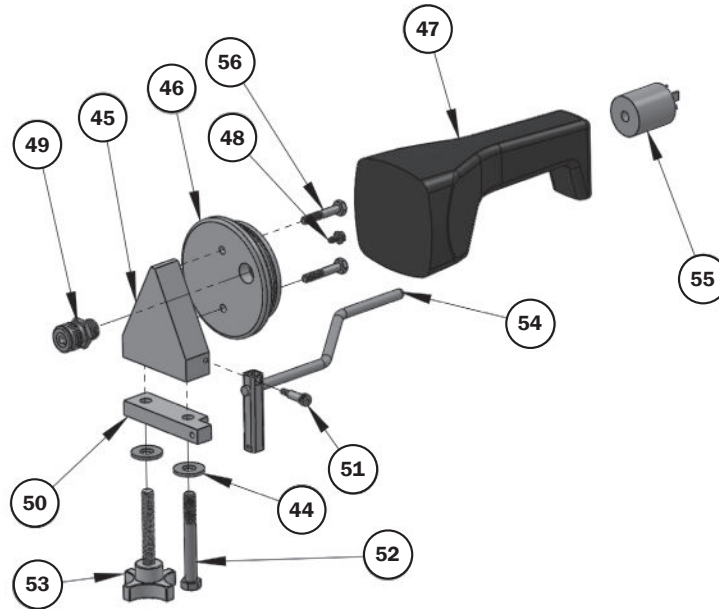
PARTS BREAKDOWN



ITEM	QUANTITY	PART NUMBER	DESCRIPTION
25	1	SX65807	7" G2 GRINDER - VAC SHROUD (CONVERTIBLE)
26	1	SX80640	SHROUD ADAPTER, METABO/GEN 2 SHROUD
27	3	US27539	5/16" - 18 X 3/8" SOCKET HEAD SET SCREW
28	1	SX50501	B - CV NUT
29	1	SX71100-1	C1 CUP WHEEL BLADE NUT
30	1	US67109	GRINDER MOUNT SADDLE WELDMENT
31	1	SXW24230	W24-230 9" METABO GRINDER
32	3	SX73902	M14 - 2.0 X 20MM HEX HEAD CAP SCREW
33	6	US31321	5/16" FLAT WASHER
34	1	US67128	CORDAGE, 14/3 JE00W
35	1	US31104-2	5/16" - 18 X 7" HEX HEAD CAP SCREW
36	1	US67129	SPRING, COMPRESSION, 1/2" OD X 2-1/2" LONG
37	1	US31110	5/16" - 18" HEX NUT
38	1	US67114	CORD GRIP, 3/8" NPT ALUMINUM
39	4	US31061	10-24 X 5/8" BUTTON HEAD CAP SCREW
40	5	SX20311	TERMINAL 16 - 14 AWG QUICK DISCONNECT
41	1	US67113	TAIL CAP COVER
42	4	US67112	TAIL CAP COVER
43	5	US67111	TAIL CAP RING



PARTS BREAKDOWN



ITEM	QUANTITY	PART NUMBER	DESCRIPTION
44	1	US31337	3/8" USS FLAT WASHER
45	1	US67118	HANDLE MOUNT BLOCK
46	3	US67116	HANDLE ADAPTER DISC
47	1	SXW24230	W24-230 9" METABO GRINDER
48	1	SX20315	ELECTRICAL GROUNDING SCREW, 10-32
49	1	US67114	CORD GRIP, 3/8 NPT ALUMINUM
50	1	US67117	HANDLE CLAMP BAR
51	3	US31602	1/4" X 5/8" SHOULDER BOLT 10-24 THREAD
52	6	US31164	3/8" - 16 X 3 HEX HEAD CAP SCREW
53	1	US31162-1	KNOB, 3/8" - 16 X 2-1/2"
54	1	US67125	LEVER WELDMENT
55	1	US67127	PLUG, 5-15P WIRE ON, 120V/15A
56	1	SX31073	1/4" - 20 - 1-1/2" HEX HEAD CAP SCREW
57	1	SX67133	TC-7 CONTROL CABLE ASSEMBLY - NOT SHOWN



WARRANTY AND SERVICE

7.0 WARRANTY AND SERVICE

7.1.1 Warranty

This document is to be used as a guide in determining warranty policies and procedures for U.S.SAWS and its U.S.SAWS products. It is to be used in determining whether a warranty is justified and as a procedural guide in completing a U.S.SAWS warranty claim form.

7.1.2 Warranty Responsibility

The distributor or the end user must prepare a Machine Warranty Information Card when the machine is delivered. Failure to comply will make any and all warranties on this equipment null and void. Credit for warranty repairs will be given only after receipt of the WARRANTY CLAIM FORM, properly completed with all the required details. Submittal details are described later in this document.

7.1.3 Warranty Policy

7.1.3.1 U.S.SAWS warrants its U.S.SAWS products against defects in material and workmanship under normal and proper use for a period of one year (365) days from the date of delivery; in the case of Rental Fleet Machines, date of assignment to Rental Fleet. Such warranty is extended only to the buyer who purchases the equipment directly from U.S.SAWS or its authorized distributor. This warranty does not include expendable parts such as, but not limited to, plugs, cutters, blades, blast wheel, wear parts, liners and seals.

7.1.3.2 The obligation under this warranty is strictly limited to the replacement or repair, at US SAWS's option, of machines and does not include the cost of transportation, loss of operating time, or normal maintenance services.

7.1.3.3 This warranty does not apply to failure occurring as a result of abuse, misuse, negligence, corrosion, erosion, normal wear and tear, alterations or modifications made to the machine without express written consent of U.S.SAWS .

7.1.3.4 Warranty request must be submitted in writing within thirty (30) days after failure.

7.1.3.5 Written authorization to return merchandise under warranty must first be obtained from U.S.SAWS .

7.1.3.6 U.S.SAWS reserves the right to inspect and make the final decision on any merchandise returned under warranty.

7.1.3.7 U.S.SAWS offers no warranty with respect to accessories, including but not limited to, engines, motors, batteries, electrical boards, tires and any other parts not manufactured by us but which the original manufacturer warrants.

7.1.3.8 U.S.SAWS reserves the right to make product changes or improvements without prior notice and without imposing any obligation upon itself to install the same on its products previously sold.

7.1.3.9 The above warranty conditions can only be altered by US SAWS. US SAWS must confirm alterations in writing for each specific transaction.

7.1.3.10 U.S.SAWS reserves the right to establish specific warranty terms for used or demo machines on an individual transaction basis. Invoices covering such merchandise will clearly state the provisions of the applicable warranty for each specific transaction.

7.1.3.11 WE DO NOT AUTHORIZE ANY PERSON, REPRESENTATIVE OR SERVICE OR SALES ORGANIZATION TO MAKE ANY OTHER WARRANTY OR TO ASSUME FOR US ANY LIABILITY IN CONNECTION WITH THE SALE OF OUR PRODUCTS OTHER THAN THOSE CONTAINED HEREIN.

7.1.3.12 UNDER NO CIRCUMSTANCES SHALL US SAWS BE LIABLE TO CUSTOMER OR ANY OTHER PERSON FOR ANY DIRECT, INCIDENTAL, OR CONSEQUENTIAL DAMAGES RESULTING FROM THE USE OF THE PRODUCT OR ARISING OUT OF ANY BREACH OF ANY WARRANTY OR FOR ANY SPECIAL OR CONSEQUENTIAL DAMAGES OF ANY CHARACTER, INCLUDING WITHOUT LIMITATIONS, DAMAGES FOR ANY LOSS OF GOODWILL, WORK STOPPAGE, OR ANY AND ALL OTHER COMMERCIAL DAMAGES OR LOSSES.

7.1.3.13 U.S.SAWS MAKES NO OTHER WARRANTIES, EXPRESSED OR IMPLIED, INCLUDING, BUT NOT LIMITED TO, THE IMPLIED WARRANTIES OF MERCHANTABILITY AND FITNESS FOR A PARTICULAR PURPOSE WITH RESPECT TO THE US SAWS PRODUCTS SOLD PURSUANT THERETO.



MACHINE WARRANTY INFORMATION CARD

TO ENSURE THE PROPER WARRANTY COVERAGE IS EXTENDED TO THE OWNER OF THIS MACHINE, FILL OUT THE ATTACHED CARD COMPLETELY AND ACCURATELY.

WARRANTY REGISTRATION CARD

IMPORTANT! To ensure that your U.S.SAWS machine is covered under warranty, please fill in the following information and mail or fax it to U.S.SAWS, 8004-B E Broadway Avenue Tampa, FL 33619, Fax No. (813) 621-7125

COMPANY
NAME
ADDRESS
INTENDED USE
DATE OF PURCHASE
INTENDED USE
SERIAL NUMBER

If you are not the owner of record as shown on the manual copy of the warranty registration card, do not operate this machine before contacting U.S.SAWS at 1-877-817-6687. Verify the following before operating the equipment:

CHANGE OF OWNER OR NEW ADDRESS REGISTRATION CARD

IMPORTANT! To ensure that your U.S.SAWS machine is covered under warranty, please fill in the following information and mail or fax it to U.S. SAWS, 8004-B E Broadway Avenue Tampa, FL 33619, Fax No. (813) 621-7125

COMPANY
NAME
ADDRESS
INTENDED USE
DATE OF PURCHASE
INTENDED USE
SERIAL NUMBER

12



**SURFACE PREP
DIVISION**

877-817- 6687
Visit us at www.ussaws.com
sales@ussaws.com

